



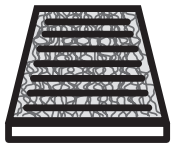
SUPREME

with anti-allergen properties



701014

FH 2014



PCA

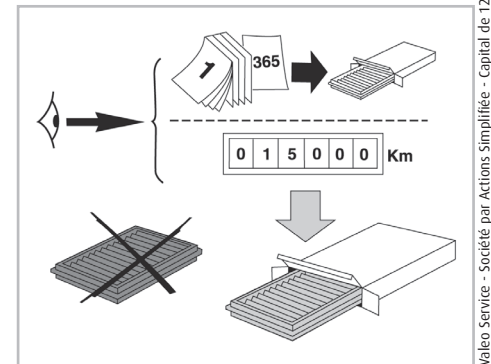
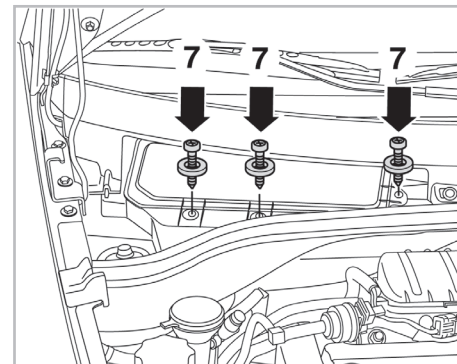
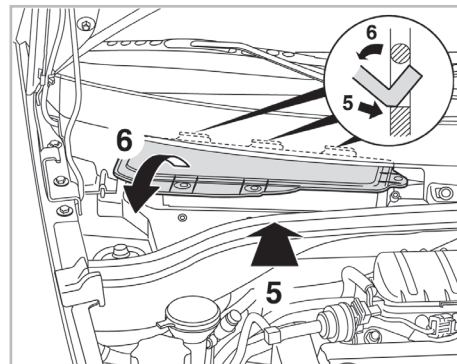
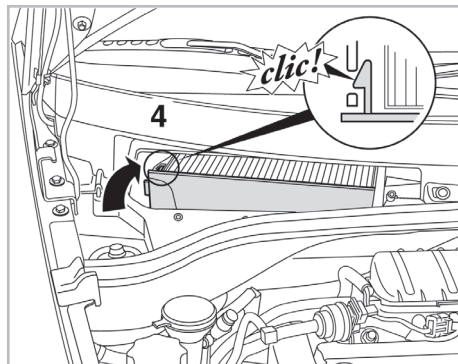
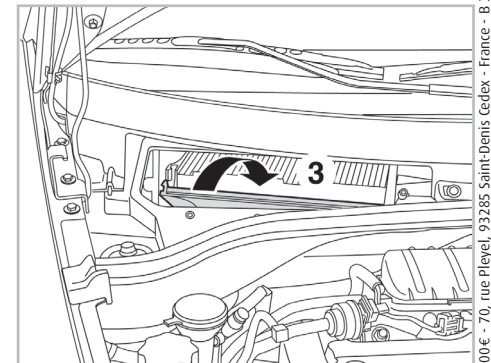
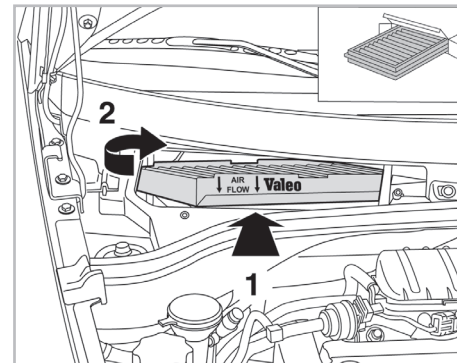
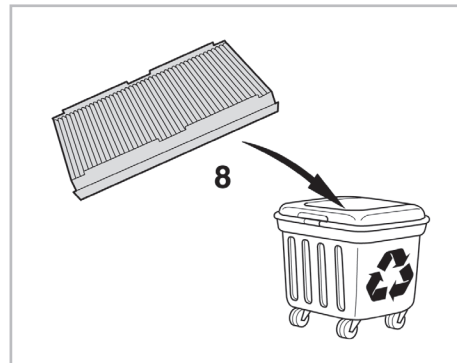
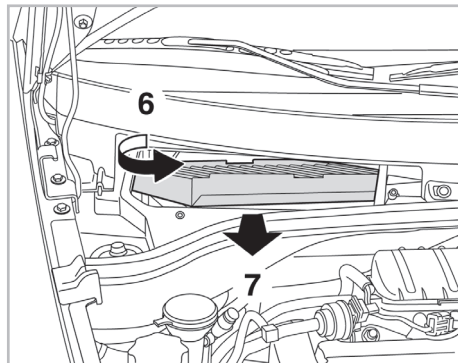
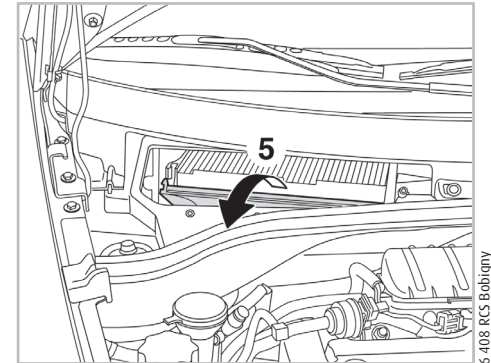
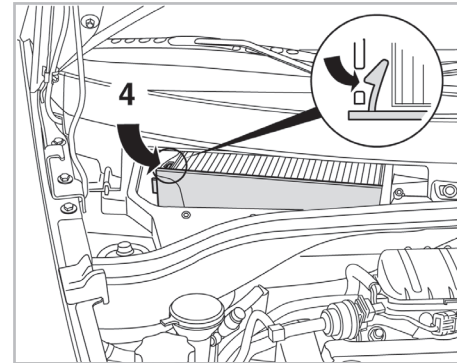
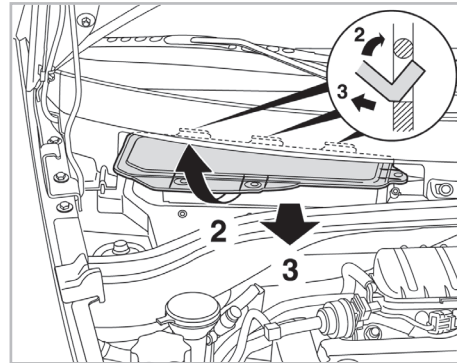
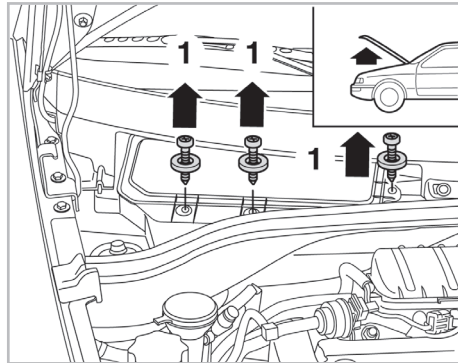
WANT TO KNOW MORE?



www.valeo-techassist.com

FOR  
CITROËN

C3 A/C- (04/02 >) / C3 PLURIEL A/C- (05/03 >)



Valeo Service - Société par Actions simplifiée - Capital de 12 900 000 € - 70, rue Playel, 93285 Saint-Denis Cedex - France - B 306 486 408 RCS Bobigny



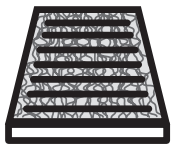
**SUPREME**

with anti-allergen properties



**701014**

FH 2014



PCA

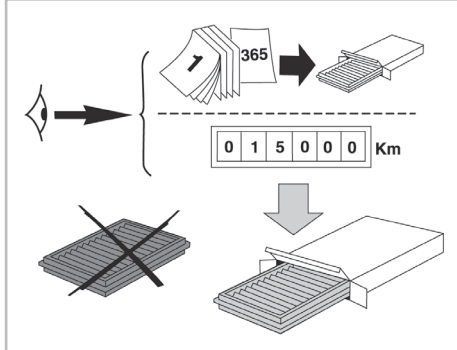
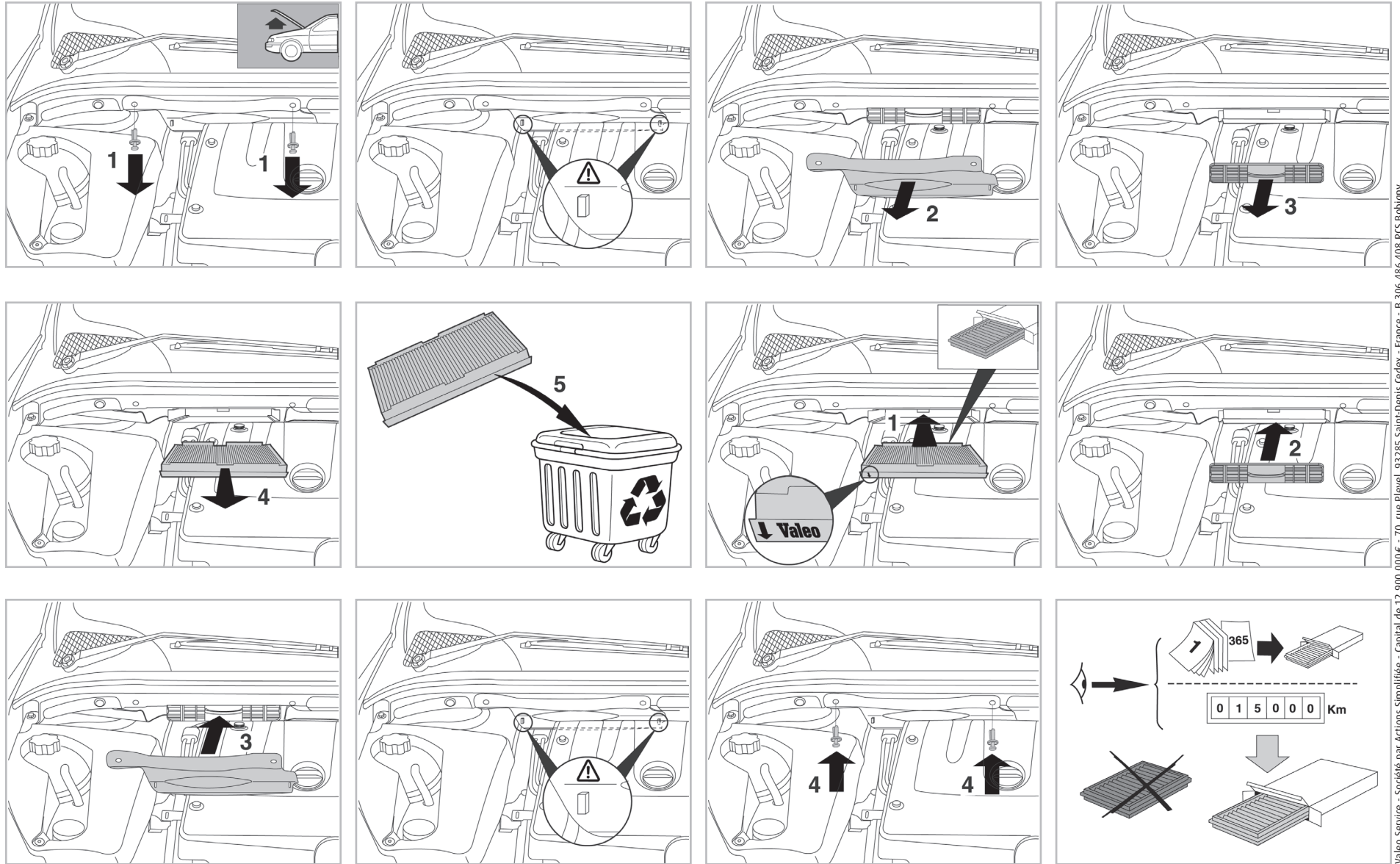
WANT TO KNOW MORE?



[www.valeo-techassist.com](http://www.valeo-techassist.com)

FOR  
**PEUGEOT**

307 A/C+ (03/01 >) / 308 A+ (09/07 >)



Valeo Service - Société par Actions simplifiée - Capital de 12 900 000 € - 70, rue Playel, 93285 Saint-Denis Cedex - France - B 306 486 408 RCS Bobigny